

040-1400 Push Button Center Control



This new product is a redesign of our popular 040-0400 Push Button Center Control for lift gages, access panels, compartment and baggage doors. It features KeyOne™ Plus keying in a push button actuation and a two point bellcrank linkage.

- Designed for toppers, lids and access door thickness up to 1/4" (6.35mm)

FEATURES/BENEFITS:

- Push button actuation versus typical twist action
- Durable and weather resistant construction
- Ergonomically shaped finger pull
- Housing flange gasket, push button o-ring and shuttered keyplug for reducing water and dirt infiltration
- Bypass lock mechanism allows push button to free-travel when locked for added security
- Lock can be keyed to match other TriMark door products with KeyOne™ Plus for a single-key system, keyed alike or provided non-locking



TriMark. Interactive. Product. Selector

Global Locations:

TriMark Corporation
500 Bailey Avenue
P.O. Box 350
New Hampton, Iowa 50659
United States
Tel: 641-394-3188
Fax: 641-394-2392
1-800-447-0343
www.trimarkcorp.com

TriMark Europe
Cedar Court
Walker road
Bardon Hill
Coalville LE67 1TU
United Kingdom
Tel: +44(0)1530 512460
Fax: +44(0)1530 512461
www.trimarkeu.com

TriMark (Xuzhou)
Building A5 Jingwu Road
Xuzhou Economic
Development Zone
Xuzhou, Jiangsu
221004 PR China
Tel: +86 516 8773 0018
Fax: +86 516 8773 0058
www.trimarkcn.com



AVAILABLE:

- Lock can be keyed to match other TriMark door products with KeyOne™ Plus for a single-key system, keyed alike or provided non-locking
- Custom finger pulls (please inquire)
- Optional anti-spin washer
- Keyed random. Over 50 keycodes available
- Without bellcrank linkage and finger assist as stand alone push button
- Can be keyed alike with most single and reversible key systems

MATERIAL:

- Housing, push button and mounting nut: diecast zinc
- Linkage, finger pull and lock cam: mild steel

FINISH:

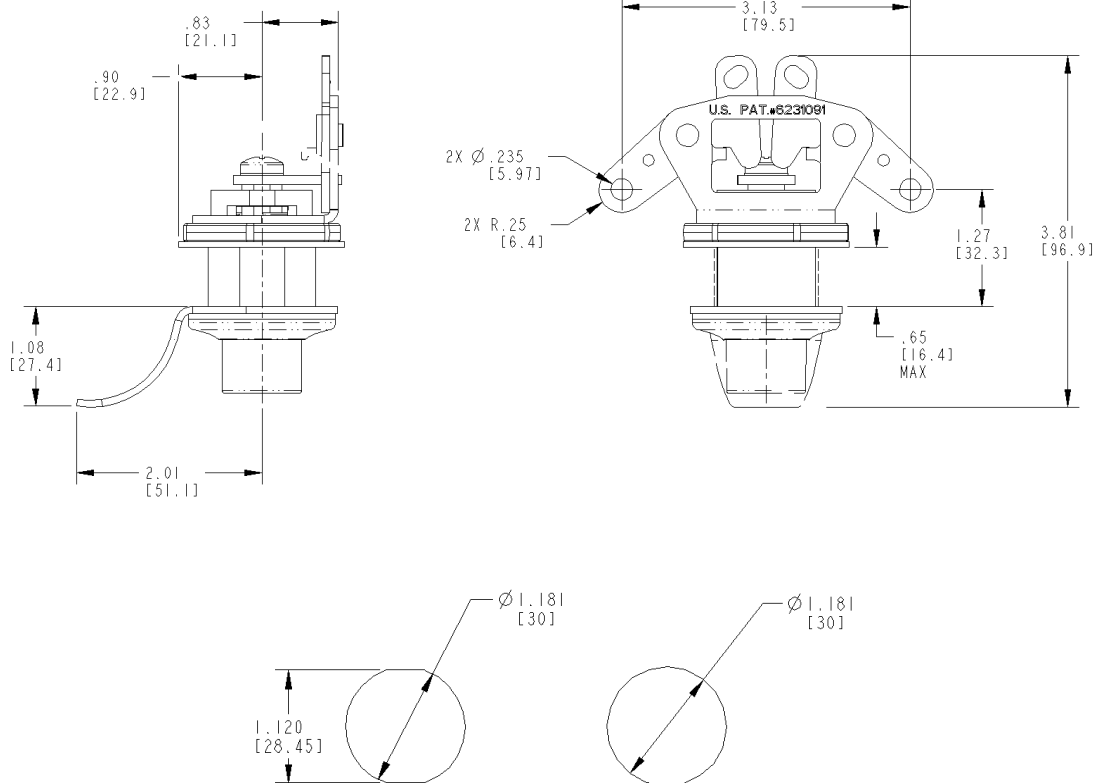
- Escutcheon and finger pull: black powder coated
- Push button: buffed chrome or black powder coated
- Steel components: zinc plated with chromate conversion coating

INSTALLATION:

- 1-1/8" (28.6mm) panel nut to secure escutcheon to the door
- Spring clip to attach linkage to escutcheon

Individual part dimensions are for reference only. Refer to individual part drawings for complete dimensions, specifications, and installation procedures. Engineering assistance and application drawings are available.

For more information visit
www.trimarkcorp.com



RECOMMENDED CUTOUT